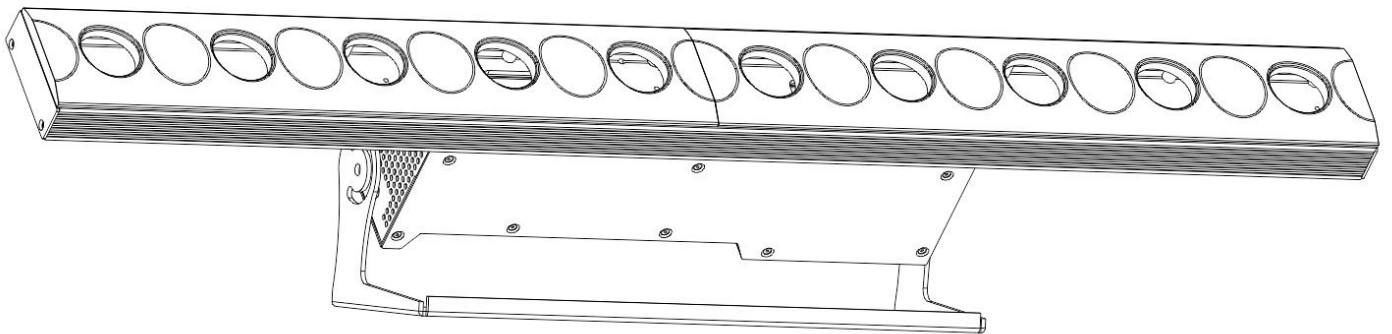


LED 2in1 Blinder Bar

User Manual



Thanks for choosing our goods please read this manual carefully
before your operating and keep this manual for future needs

Thank you for purchasing LED 2in1 Blinder Bar, Every unit has been thoroughly tested and has been shipped in perfect operating condition. Carefully check the shipping carton for damage that may have occurred during shipping. If the carton appears to be damaged, carefully inspect your fixture for any damage and be sure all accessories necessary to operate the unit has arrived intact. In the case damage has been found or parts are missing, please contact the manufacturer or your dealer for further instructions. You now own a professional lighting unit that offers endless possibilities.

For your own safety and that of others, please read this instruction manual carefully before installing the unit.

Anyone involved in installing, operating or servicing the LED 2in1 Blinder

Bar must:

- **Be a qualified, authorized professional**
- **Strictly follow the instructions in this user manual.**

Please take the time to read this manual carefully and thoroughly before installing and operating the luminaire. You should have a good knowledge of its operating conditions and all pertinent product information.

After you have become familiar with this manual, we recommend that you keep a copy for future use. All the information found in this manual

is subject to change without notice. We reserves the right to modify and upgrade its range of products, with no obligation to integrate these changes into products already sold.

Warning

- To prevent or reduce the risk of electrical shock or fire ,do not expose the unit to rain or moisture.
- Do not open the unit within five minutes after switching off.
- Please consider that damages caused by manual modifications to the device are not subject to warranty.

Installation

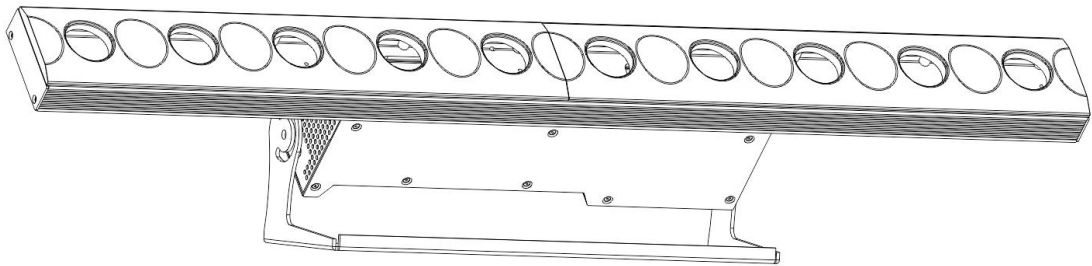
The unit should be mounted via its screw holes on the bracket.Always ensure that the unit is firmly fixed to avoid vibration and slipping while operating.And make sure that the structure to which you are attaching the unit is secure and is able to support a weight of 10 times of the unit' s weight. Also always use a safety cable that can hold 12 times of the weight of the unit when installing the fixture.

The equipment must be fixed by professionals.And it must be fixed at a place where is out of the touch of people and has no one pass by or under it.

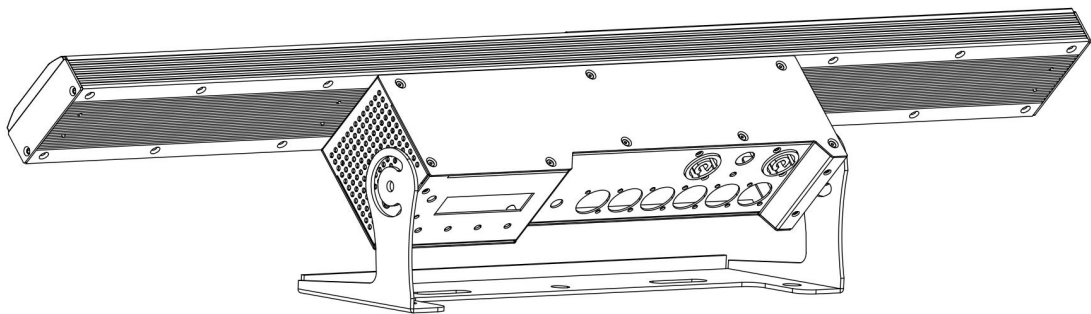
Specifications and Features:

- LEDs: 10pcs 3W CREE LEDs, 60pcs 5050SMD RGB LEDs
- Power Consumption:50W
- DMX Channels: 190 DMX Channels
- Refresh Rate: 3000Hz
- Power: 6V 13.3A
- 4 DMX Channels Mode: 11CH,20CH,47CH,190CH
- Control Protocol: Art-net, Kling-net, DMX
- Support RDM
- Front cover color: White and black
- Each LED can pixel control, can create fabulous image effects.
- XLR Connectors: 3pin&5pin XLR Connector
- Powercon in/out, Ethernet in/out
- Work mode: Auto, Sound, DMX, Artnet
- With handle and safe
- Power input:110~240V,50/60Hz
- Power Consumption:50W
- Size: 78x8x11cm
- Net Weight: 3.2KG

Product View

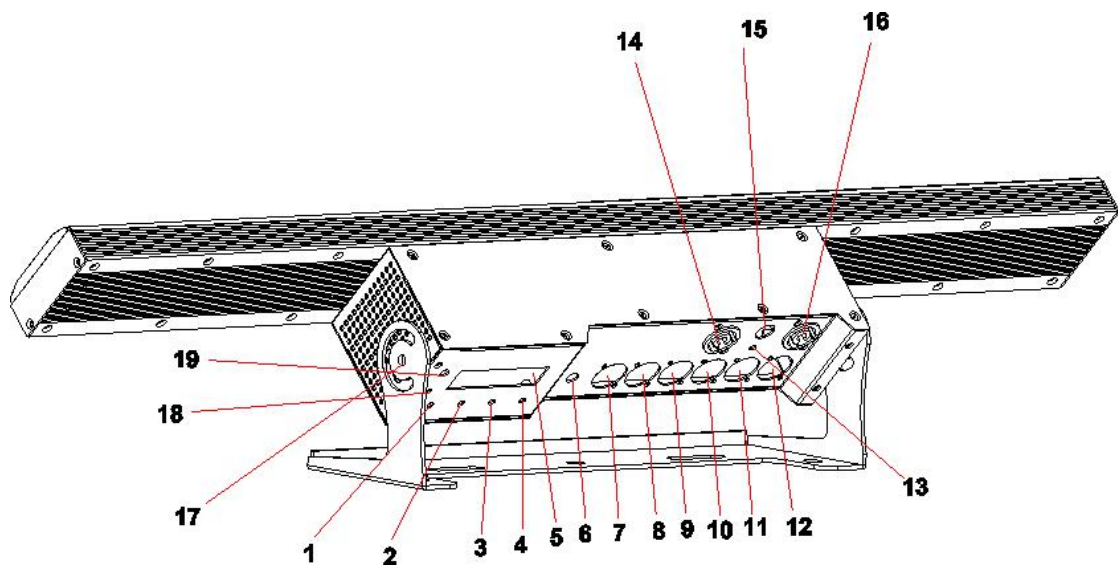


(Front)



(Back)

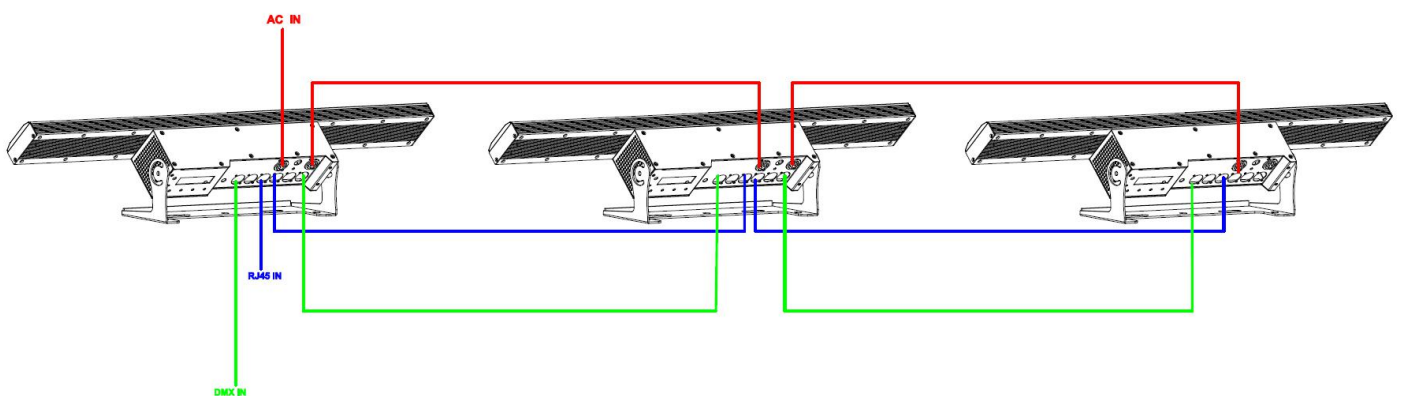
Product Description



- 1: Menu
- 2: Enter

- 3:Up
- 4:Down
- 5:Display
- 6:Safety loop
- 7:3pin DMX Out
- 8:5pin DMX Out
- 9:Ethernet In
- 10:Ethernet out
- 11:3pin DMX In
- 12:5pin DMX In
- 13:Ground
- 14:Powercon In
- 15:Fuse
- 16:Powercon Out
- 17:Handle screw
- 18:MIC
- 19:Signal

Connection

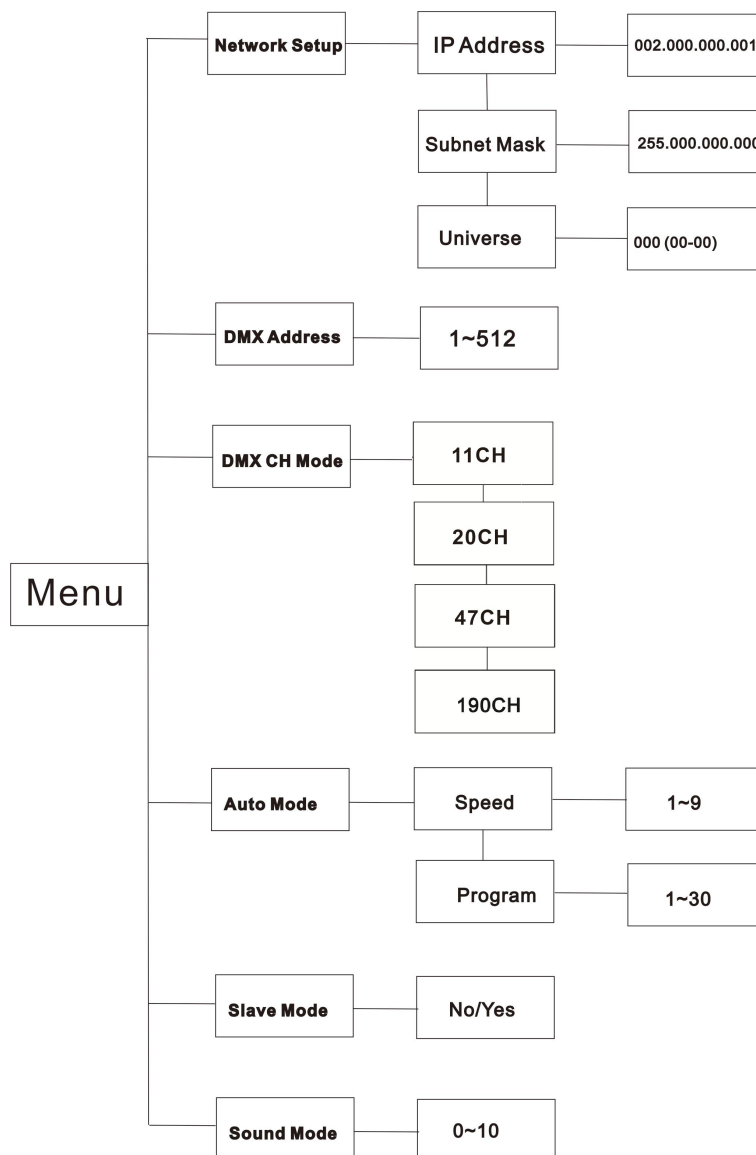


Control Panel

The control panel is the mechanism for configuring the LCB70 settings. It has a small LCD screen and four buttons, which are described below.

Button	Function
<MENU>	Scrolls through the first level of options, or exits from the current menu or function
<UP>	Navigates upward through the menu list or increases the numeric value when in a function
<DOWN>	Navigates downward through the menu list or decreases the numeric value when in a function
<ENTER>	Enables the currently displayed menu or sets the currently selected value in to the current function

Menu Structure



Mode	Display	Function
NETWORK SETUP	IP ADDRESS	XXX XXX XXX XXX
	SUBNET MASK	255.000.000.000
	DMX UNIVERSE	000-255
DMX Address	ADDR: 001 ~ 512	Setting DMX starting address
DMX Mode	CH:11	Setting DMX channel mode
	CH:20	
	CH:47	
	CH:190	
AUTO	SPEED: 01 – 09	Program speed, from slow to fast
	Program 1	3W Warm white effect
	Program 2	3W Warm white effect
	Program 3	3W Warm white effect
	Program 4	3W Warm white effect
	Program 5	3W Warm white effect
	Program 6	3W Warm white effect
	Program 7	3W Warm white effect
	Program 8	3W Warm white effect
	Program 9	3W Warm white effect
	Program 10	3W Warm white effect
	Program 11	3W Warm white effect
	Program 12	3W Warm white effect
	Program 13	3W Warm white effect
	Program 14	3W Warm white effect
	Program 15	5050 LED effect
	Program 16	5050 LED effect
	Program 17	5050 LED effect
	Program 18	5050 LED effect
	Program 19	5050 LED effect
	Program 20	5050 LED effect
	Program 21	5050 LED effect
	Program 22	5050 LED effect
	Program 23	5050 LED effect
	Program 24	5050 LED effect
	Program 25	5050 LED effect
	Program 26	5050 LED effect
	Program 27	5050 LED effect
	Program 28	5050 LED effect
Program 29	5050 LED effect	

	Program 30	All program run together
SLAVE	NO YES	Slave-setting
SOUND	PROGRAM: 01 – 10	Program selection

DMX Channel function and values:

11 DMX Channels:

Channel	Value	Function	Comments
1CH	0-255	Dimmer	
2CH	0-255	Strobe	
3CH	0-255	RED	
4CH	0-255	GREEN	
5CH	0-255	BLUE	
6CH	0-255	WARM WHITE LED ALL	
7CH	0-17	Program 1	Warm white LED
	18-34	Program 2	
	35-51	Program 3	
	52-68	Program 4	
	69-85	Program 5	
	86-102	Program 6	
	103-119	Program 7	
	120-136	Program 8	
	137-153	Program 9	
	154-170	Program 10	
	171-187	Program 11	
	188-204	Program 12	
	205-221	Program 13	
	222-238	Program 14	
239-255	Program auto		
8CH	0-17	Program 1	5050 LED
	18-34	Program 2	
	35-51	Program 3	
	52-68	Program 4	
	69-85	Program 5	
	86-102	Program 6	
	103-119	Program 7	
	120-136	Program 8	

	137-153	Program 9	
	154-170	Program 10	
	171-187	Program 11	
	188-204	Program 12	
	205-221	Program 13	
	222-238	Program 14	
	239-255	Program auto	
9CH	0-255	Speed	From slow to fast
10CH	0-36	RED	Control 8CH effect
	37-73	GREEN	
	74-110	BLUE	
	111-147	YELLOW	
	148-184	Cyan	
	185-221	PINK	
	222-255	WHITE	
11CH	0-255	Sound Control	255 Sound Control

20 DMX Channels:

Channel	Value	Function	Comments
1CH	0-255	Dimmer	
2CH	0-255	Strobe	
3CH	0-17	Program 1	Warm white LED
	18-34	Program 2	
	35-51	Program 3	
	52-68	Program 4	
	69-85	Program 5	
	86-102	Program 6	
	103-119	Program 7	
	120-136	Program 8	
	137-153	Program 9	
	154-170	Program 10	
	171-187	Program 11	
	188-204	Program 12	
	205-221	Program 13	
	222-238	Program 14	
239-255	Program auto		
4CH	0-17	Program 1	5050 LED
	18-34	Program 2	

	35-51	Program 3	
	52-68	Program 4	
	69-85	Program 5	
	86-102	Program 6	
	103-119	Program 7	
	120-136	Program 8	
	137-153	Program 9	
	154-170	Program 10	
	171-187	Program 11	
	188-204	Program 12	
	205-221	Program 13	
	222-238	Program 14	
	239-255	Program auto	
5CH	0-255	Speed	From slow to fast
6CH	0-36	RED	Control 4CH effect
	37-73	GREEN	
	74-110	BLUE	
	111-147	YELLOW	
	148-184	Cyan	
	185-221	PINK	
	222-255	WHITE	
7CH	0-255	Sound Control	255 Sound Control
8CH	0-255	Warm White LED 1	
9CH	0-255	Warm White LED 2	
10CH	0-255	Warm White LED 3	
11CH	0-255	Warm White LED 4	
12CH	0-255	Warm White LED 5	
13CH	0-255	Warm White LED 6	
14CH	0-255	Warm White LED 7	
15CH	0-255	Warm White LED 8	
16CH	0-255	Warm White LED 9	
17CH	0-255	Warm White LED 10	
18CH	0-255	RED 5050 ALL	
19CH	0-255	GREEN 5050 ALL	
20CH	0-255	BLUE 5050 ALL	

47 DMX Channels:

Channel	Value	function	Comments
1CH	0-255	Dimmer	
2CH	0-255	Strobe	
3CH	0-17	Program 1	Warm white LED
	18-34	Program 2	
	35-51	Program 3	
	52-68	Program 4	
	69-85	Program 5	
	86-102	Program 6	
	103-119	Program 7	
	120-136	Program 8	
	137-153	Program 9	
	154-170	Program 10	
	171-187	Program 11	
	188-204	Program 12	
	205-221	Program 13	
	222-238	Program 14	
239-255	Program auto		
4CH	0-17	Program 1	5050 LED
	18-34	Program 2	
	35-51	Program 3	
	52-68	Program 4	
	69-85	Program 5	
	86-102	Program 6	
	103-119	Program 7	
	120-136	Program 8	
	137-153	Program 9	
	154-170	Program 10	
	171-187	Program 11	
	188-204	Program 12	
	205-221	Program 13	
	222-238	Program 14	
239-255	Program auto		
5CH	0-255	Speed	From slow to fast
6CH	0-36	RED	Control 4CH effect
	37-73	GREEN	
	74-110	BLUE	

	111-147	YELLOW	
	148-184	Cyan	
	185-221	PINK	
	222-255	WHITE	
7CH	0-255	Sound Control	255 Sound Control
8CH	0-255	Warm White LED 1	
9CH	0-255	Warm White LED 2	
10CH	0-255	Warm White LED 3	
11CH	0-255	Warm White LED 4	
12CH	0-255	Warm White LED 5	
13CH	0-255	Warm White LED 6	
14CH	0-255	Warm White LED 7	
15CH	0-255	Warm White LED 8	
16CH	0-255	Warm White LED 9	
17CH	0-255	Warm White LED 10	
18CH	0-255	RED 1	SQUARE
19CH	0-255	GREEN 1	
20CH	0-255	BLUE 1	
21CH	0-255	RED 2	
22CH	0-255	GREEN 2	
23CH	0-255	BLUE 2	
24CH	0-255	RED 3	
25CH	0-255	GREEN 3	
26CH	0-255	BLUE 3	
27CH	0-255	RED 4	
28CH	0-255	GREEN 4	
29CH	0-255	BLUE 4	
30CH	0-255	RED 5	
31CH	0-255	GREEN 5	
32CH	0-255	BLUE 5	
33CH	0-255	RED 6	
34CH	0-255	GREEN 6	
35CH	0-255	BLUE 6	
36CH	0-255	RED 7	
37CH	0-255	GREEN 7	
38CH	0-255	BLUE 7	
39CH	0-255	RED 8	
40CH	0-255	GREEN 8	
41CH	0-255	BLUE 8	

42CH	0-255	RED 9	
43CH	0-255	GREEN 9	
44CH	0-255	BLUE 9	
45CH	0-255	RED 10	
46CH	0-255	GREEN 10	
47CH	0-255	BLUE 10	

190 DMX Channels:

CH1	Warm White 1
CH2	Warm White 2
CH3	Warm White 3
CH4	Warm White 4
CH5	Warm White 5
CH6	Warm White 6
CH7	Warm White 7
CH8	Warm White 8
CH9	Warm White 9
CH10	Warm White 10
CH11	Red 1
CH12	Green 1
CH13	Blue 1
CH14	Red 2
CH15	Green 2
CH16	Blue 2
.....	
CH187	Red 60
CH189	Green 60
CH190	Blue 60

Troubleshooting

Following are a few common problems that may occur during operation. Here are some suggestions for easy troubleshooting:

1. The unit does not work, no light and the fan does not work
 - a. check the connection of power and main fuse.
 - b. Measure the mains voltage on the main connector.
 - c. Check the power on Led.
2. Not responding to DMX controller
 - a. DMX LED should be on. If not, check DMX connectors, cables to see if link properly.
 - b. If the DMX LED is on and no response to the channel, check the address settings and DMX polarity.
 - c. If you have intermittent DMX signal problems, check the pins on connectors or on PCB of the unit or the previous one.
 - d. Try to use another DMX controller.
 - e. Check if the DMX cables run near or run alongside to high voltage cables that may cause damage or interference to DMX interface circuit.
3. Some units don't respond to the easy controller
 - a. You may have a break in the DMX cabling. Check the LED for the response of the master/slave mode signal.
 - b. Wrong DMX address in the unit. Set the proper address.

4. One of the channels is not working well

- a. The stepper motor might be damaged or the cable connected to the PCB is broken.
- b. The motor's drive IC on the PCB might be out of condition

5. Fixture Cleaning

The cleaning of internal and external optical lenses and/or mirrors must be carried out periodically to optimize light output. Cleaning frequency depends on the environment in which the fixture operates :damp,smoky or particularly dirty surrounding can cause greater accumulation of dirt on the unit's optics.

- a. Clean with soft cloth using normal glass cleaning fluid.
- b. Always dry the parts carefully.

Warranty

The LED 2in1 Blinder Bar fixture is guaranteed against manufacturing defects for the duration of one (1) year from the date of purchase.

This warranty does not cover the unit for evidence of physical shock or damage caused by abuse or any use not in accordance with the operating conditions set forth in the present user manual.

In addition, cosmetic defects caused by the normal wear and tear of the unit are not covered under the warranty.

Any modification to the fixture will void the warranty. We cannot under any circumstances be held liable for quality and conformity regarding the installation of this product, which is the responsibility of the installer. the device and before use, may be covered by the warranty.

The manufacturer is not responsible for any errors or omissions that may occur in this document. All information contained in this manual is subject to change without notice.